



# Stainless Steel ICE MAKER

## Care and Use Guide

PORTABLE

### FEATURES:

- Choose from three cube sizes: small, medium, or large
- Built in reservoir drain
- Includes a convenient ice scoop



For your safety and continued enjoyment of this product, always read the instruction book carefully before using.

# IMPORTANT SAFEGUARDS

## SAVE THESE INSTRUCTIONS

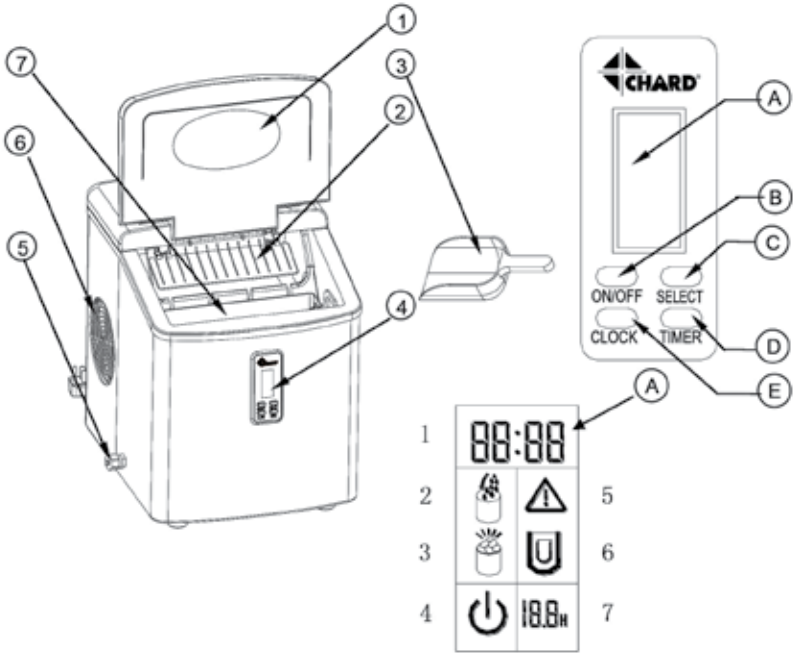
Read and understand all instructions before using the appliance.

- NEVER put the unit near a hot burner or in an oven.
- DO NOT use for any purpose other than intended use.
- ALWAYS place the unit on a firm and stable surface.
- Ensure that the unit is not placed close to the edge of the table, worktop, etc. where it can be pushed off or fall.
- NEVER use abrasive cleaning agents or abrasive cloths when cleaning the unit.
- ONLY use the unit when completely assembled.
- Before using for the first time, remove all packaging and thoroughly wash all parts with hot soapy water.
- You can be killed or seriously injured if you don't immediately follow instructions.
- All safety messages will tell you what the potential hazard is, tell you how to reduce the chance of injury, and tell you what can happen if the instructions are not followed.

## PREPARING FOR USE

- When using electrical appliances, basic safety precautions should be followed to reduce the risk of fire, electric shock, and injury to persons or property. Read all instructions before using any appliance.
- DO NOT operate this or any other appliance with a damaged cord.
- Connect to properly polarized outlets only. No other appliance should be plugged into the same outlet. Be sure that the plug is fully inserted into the receptacle.
- DO NOT run the power cord over carpeting or other heat insulators. Do not cover the cord.
- Keep cord away from traffic areas, and do not submerge in water.
- We DO NOT recommend the use of an extension cord, as it may overheat and become a risk of fire. If you must use an extension cord, use No.14 AWG minimum size and rated no less than 1875 watts.
- Unplug the ice maker before cleaning or making any repairs or servicing.
- Exercise CAUTION and use reasonable supervision when appliance is used near children.
- DO NOT use your ice-maker outdoors. Place the ice-maker away from direct sunlight and make sure that there is at least 4 inches of space between the back of your unit and wall.
- Keep a minimum distance of 4 inches on each side of your unit free.
- DO NOT use other liquid to make the ice-cube other than water.
- DO NOT clean your ice maker with flammable fluids. The fumes can create a fire hazard or explosion.
- DO NOT tip over.
- If the ice maker is brought in from outside in wintertime, give it a few hours to warm up to room temperature before plugging it in.
- WARNING: This appliance must be grounded.
- To avoid a hazard due to instability of the appliance, it must be placed on an even or flat surface.

# OVERVIEW OF COMPONENTS



1. COVER (With a transparent window to allow interior visibility)
2. ICE TRAY
3. ICE SHOVEL
4. CONTROL PANEL
  - A. LCD DISPLAY WINDOW
    1. CURRENT CLOCK TIME
    2. NO WATER DISPLAY (When flashing: means no water in the unit. Need to pour water in.)
    3. ICE-FULL DISPLAY (When it displays: means the ice basket is full of ice-cubes.)
    4. ON/OFF DISPLAY (When the unit is turned OFF, this symbol will flash.)  
(When the unit is turned ON, this symbol will always display.)
    5. CLEAN SYMBOL (When flashing: means the unit needs to be cleaned.)
    6. ICE-CUBE SIZE DISPLAY: To select ice cube size: Small, medium, and large.
    7. TIMER / DELAY TIME DISPLAY
  - B. ON/OFF BUTTON
  - C. SELECT BUTTON: To select your desired size of the ice-cube: small, medium, large, three size of the ice-cube can be selected. Or to change the time digit during the clock or timer setting program.
  - D. CLOCK BUTTON: To set the displayed time to the correct current time.
  - E. TIMER BUTTON: To set or cancel the timer program to let the unit start to run at your desired time or stop the unit at your desired because of forgetting.
5. WATER DRAIN CAP (For draining water from water reservoir.)
6. AIR OUTLET
7. ICE BASKET

# UNPACKING YOUR ICE MAKER

1. Remove the exterior and interior packaging. Check that an ice basket and ice scoop are included. If any parts are missing, please contact our customer service department at 888-815-4252.
2. Clean the interior with lukewarm water and a soft cloth. Take out the ice basket and clean it.
3. Find a location for your ice maker that is protected from direct sunlight and other sources of heat (i.e.: stove, furnace, radiator). Place the ice maker on a level surface. Make sure that there is at least 6 inches of space between the back and sides of your ice maker and the wall.
4. **IMPORTANT:** Allow one hour for the refrigerant fluid to settle before plugging ice maker in.
5. The appliance must be positioned so that the plug is accessible.

# CONNECTING YOUR ICE MAKER

## **DANGER**

**Improper use of the grounded plug can result in the risk of electrical shock. If the power cord is damaged please call our customer service at 888-815-4252.**

1. This unit should be properly grounded for your safety. The power cord of this appliance is equipped with a three-prong plug which mates with standard three prong wall outlets to minimize the possibility of electric shock.
2. Plug your appliance into an exclusive, properly installed, grounded wall outlet. Do not under any circumstances, cut or remove the third (ground) prong from the power cord. Any questions concerning power and/or grounding should be directed toward a certified electrician.
3. This appliance requires a standard 110-120volt, 60Hz electrical outlet with three-prong ground.

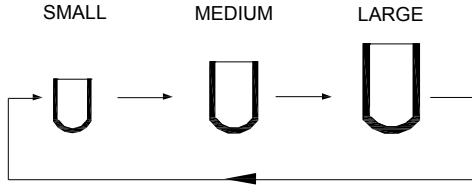
# CLEANING & MAINTENANCE

**Before using your ice maker, it is strongly recommended to clean it thoroughly.**

1. Take out the ice basket.
2. Clean the interior with diluted detergent, warm water and a soft cloth.
3. Then use the water to rinse the inside parts, and drain out the water by unplugging the drain cap on the side.
4. The outside of the ice maker should be cleaned regularly using a damp cloth, mild detergent solution and warm water.
5. Dry the interior and exterior with a soft cloth.
6. When the machine is not in use for a long time, open the water drain cap to drain water.

# USING YOUR ICE MAKER

1. Open the cover, remove the ice basket and pour water into water reservoir. Keep water level below the level mark.
2. Press "ON/OFF" button on the control panel to turn on the unit to begin the ice making cycle.
3. Select the size of the ice cube by pressing the "Select" button. Three sizes: SMALL, MEDIUM or LARGE can be selected:



If the room temperature is lower than 60, it is recommended to select the small or medium ice sign button in order to avoid ice sticking together.

4. The ice making cycle lasts 6 to 15 minutes, depending on the size of the ice cube selection and the ambient temperature. In the extreme hot room temperature, ice-making time may vary a lot.
5. While the icemaker is on, verify water level periodically. If water pump can't inject water, the ice maker will stop automatically, and the "🚰" symbol will flash in LCD display window. Fill water up to the level mark and press "ON/OFF" button two times again to turn on the unit again. Allow the refrigerant liquid inside the compressor at least 3 minutes to settle before restarting.
6. The ice maker automatically stops working when the ice basket is full and the "🚰" symbol will display in the LCD display widow.
7. Change water in the water reservoir every 24 hours to ensure a reasonable hygiene level. If unit isn't in use, drain all water left in the tank.
8. Timer Delay Time Range: 0.5-19.5 hours.
9. Default Delay Time: 3 hours.
10. When the unit is running, you can set the unit with OFF-TIMER to let the unit stop running after you set delay time. Set the unit with ON-TIMER to let the unit start to run automatically after you set delay time.

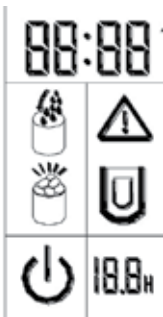
# HOW TO SET THE TIMER

1. Press the TIMER button first - the default "3.0H" delay time will flash in LCD display window.
2. Then press the SELECT button to select your desired delay time. Each press of the SELECT button will increase the flashing delay time by 0.5 hour. If you HOLD the SELECT button for more than 3 seconds, the delay time will increase very quickly.
3. After 5 seconds, the delay time digit will change from flashing to always displaying. This means the timer program has been set.

## HOW TO CANCEL THE TIMER

When the unit has been set with the timer or during the timer setting process, press the TIMER button, then the delay time digit will disappear. This means the timer set has been cancelled.

# HOW TO SET THE CLOCK & DISPLAY PANEL



This unit is supplied with CLOCK displaying function. If the displayed time is not correct, you can adjust it to the correct digit through the CLOCK and SELECT button.


First press the CLOCK button once, the digit meaning hour will start to flash first. Then you can press SELECT button to change it. Each press will increase by 1 hour.



Press the CLOCK button again. The digit meaning minute will start to flash. Press the SELECT to change it.

Then press the CLOCK the third time to confirm it. Now it displays the new correct time.

During adjusting process, after 5 seconds flashing, the digit will automatically change to always display. This means the new time has been set.

# CLEANING REMINDER

When the  symbol flashes, the unit needs to be cleaned. After you have cleaned the unit, press the TIMER button for more than 5 seconds. This symbol will disappear from the LCD display window. The cleaning timer will reset to Zero and recount again.

PROBLEM	POSSIBLE CAUSE	SOLUTION
<b>Symbol</b>  <b>flashes.</b>	Lack of Water.	Stop the ice maker, fill water, and press "ON/OFF" button again to restart the unit.
<b>Symbol</b>  <b>display in LCD display window.</b>	There is too much ice.	Remove ice from ice basket.
<b>Ice cubes stick together.</b>	The ice cycle is too long.	Stop the ice maker, and restart it when the ice blocks melt. Select the small size ice cube selection.

**TROUBLESHOOTING**

	Water temperature in inner tank is too low.	Change the water in the inner Tank. Temperature of water is better set between 45°F–90°F .
<b>Ice making cycle is normal but no ice is made.</b>	Ambient temperature or water temperature in inner tank is too high.	Please run the ice maker below 90°F and pour colder water into tank.
	Refrigerant liquid leakage.	Verify by a qualified technician.
	Pipe in the cooling system is blocked.	Verify by a qualified technician.



## WARRANTY

Your product is warranted for one year from date of purchase against all defects in material and workmanship. Should your product prove defective within one year from date of purchase or receipt, return the unit, freight prepaid, along with an explanation of the claim. Please package your product carefully in its original box and packing material to avoid damage in transit. We are not responsible for any damage caused to the product in return shipment. Under this warranty, we undertake to repair or replace any parts found to be defective.

This warranty is only valid if the product is used solely for household purposes in accordance with the instructions. This warranty is invalid if the unit is dismantled or interfered with in any way or damaged through misuse.

We ask that you kindly fill in the details on your warranty card and return it within one week from date of purchase. Send warranty card to:

IM-12SS / CHARD STAINLESS STEEL ICE MAKER  
C/O CI  
PO Box 444  
Two Rivers, WI 54241-0444

© 2016 Chard International, P.O. Box 444, Two Rivers, WI 54241-0444 1-888-815-4252